

1. General Overview

1.1 Application

=:

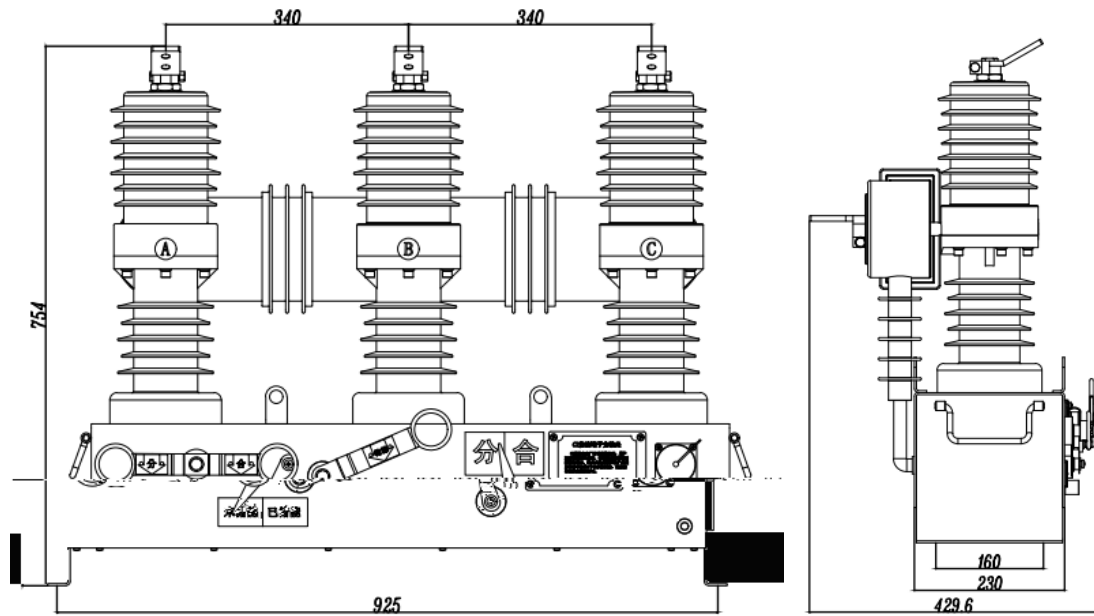
&DWDORJXH

&RPSRVLWLRQ DQG PHDQLQJ RI WKH SURGXFW

(QYLURQPHQWDO FRQGLWLRQV RI XVH

1R	1DPH	8QLW	6WDQGDUG	SDUD
	0D[LXP WHPSHUDWXUH			
	\$PELHQW DLRZHVW 7HPSHUDWXUH			
	WHPSHUDWXUH LXP GDLO\ WHPSHUDWXUH			
	GLIIHUHQFH			
	(OHYDWLRQ		P	"
	6RODU UDGLDWLRQ LQWHQVLW\		RXWGRRU	: FP
)LOWK OHYHO			á
	7KLFNQHVV\ RI LFH		FRYRP	
	:LQG VSHHG ZLQG SUHVXUH		RXWGRRU	P V 3D
	\$YHUDJH GDLO\ UHODWLYH			"
	+XPLGLW\ KXPLGLW\			
	\$YHUDJH PRQWKO\ UHODWLYH			"
	KXPLGLW\			
	(DUWKXDNH +RUL]RQWDO			
	UHVLVWDQW DFFHOHUDWLRQ YHWLFDO		J15g	
	FDSDFLW\ DFFHOHUDWLRQ			
	6LQH UHVRQDQW WULSOH ZDYH ZLWK VDIHW\			

1.4 Equipment size



2. Basic components

2.1 Vacuum interrupter

2.2 Operating mechanism

2.3 Current Transformer

3. Features

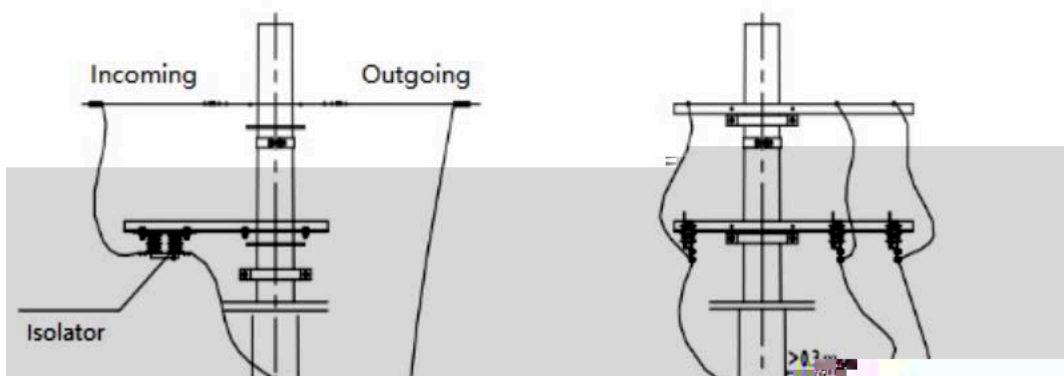
4. Installation and commissioning

4.1 Lifting of equipment

4.2 Fixing of equipment

4.3 On-site installation guidance

Installation schematic



4.4 Field trials

Insulation withstand voltage test

A.) Test 1 to ground operating procedures:

B.) Test 2 interphase operating procedure:

C.) Test 3 fracture operation procedure:

5. Application and Maintenance

"WARNING"

Application

Dongfang Electronics International Engineering Co., Ltd.

Dongfang Electronics Co., Ltd.

Address: 2 Jichang Road, Yantai, Shandong Province, P.R. China, 264000

Tel: +86-535-5520925

Fax: +86-535-5520930

Email: idf@dongfang-china.com

Website: <http://www.dongfang-china.com/en>



THE INFORMATION CONTAINED IN THIS DOCUMENT IS THE PROPERTY OF DONGFANG ELECTRONICS INTERNATIONAL ENGINEERING CO., LTD. ALL RIGHTS RESERVED.